

PDVR (4CH 1U Rack Mount PDV Chassis)

Custom
Systems
Available

The DiCon PDVR is a 1U rack mount system that integrates many required optical components used in the Photonic Doppler Velocimetry (PDV) technique. This product connects laser sources with 4 fiber optic probes and collects interferometry signatures through 4 high speed receivers. Dynamic power control, probe test, and safety shutoff functions are implemented using DiCon's MEMS attenuators and switches.

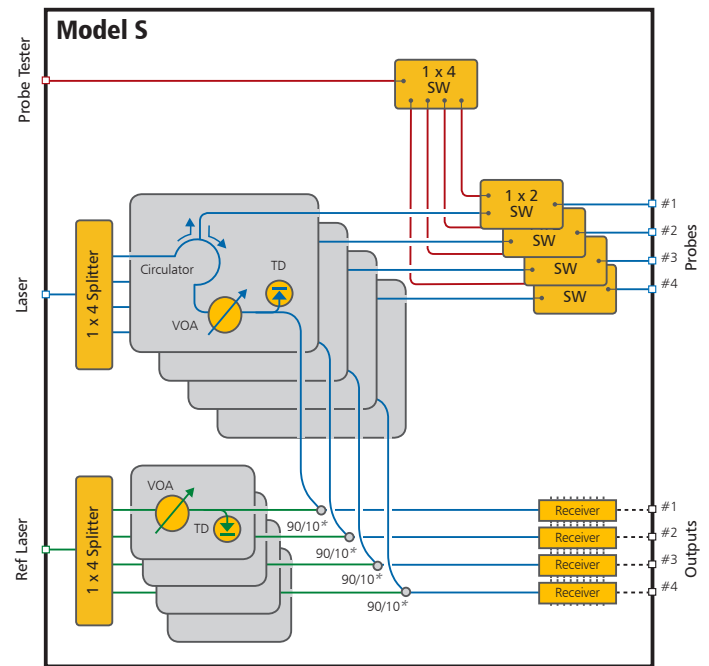
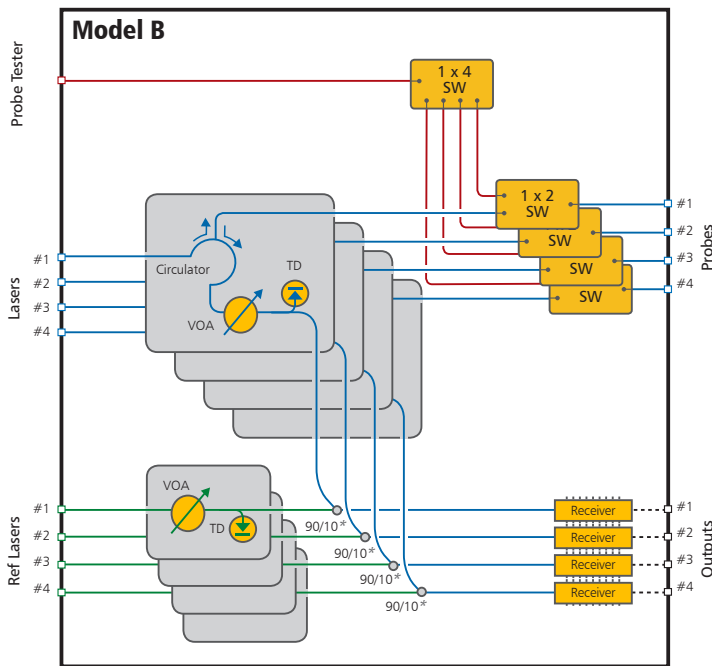


FEATURES

- 4-Channels in a Compact 1U Chassis
- Automated Power Monitor and Control
- Probe Test and Safety Shutoff Functions

APPLICATIONS

- Photonic Doppler Velocimetry (PDV)
- Shock Physics Experiments
- Detonation Wave Study



* Custom Ratios Available Upon Request

PDVR (4CH 1U Rack Mount PDV Chassis)

SPECIFICATIONS

Fiber Type	9/125 um single mode			
Wavelength Range	1530 to 1570 nm			
Back Reflection	-50 dB max.			
Attenuation Range	30 dB min.			
Switching Time	20 ms min.			
TD Measurable Power Range	-25 to +20 dBm			
TD Accuracy	+/- 0.3 dBm			
TD Resolution	0.1 dBm			
Coupler Ratio	90/10			
Model B	Input Optical Power		0.5 W max.	
	IL	Laser - Probe	1.6 dB max.	
		Probe - Receiver	4.0 dB max.	
		Ref Laser - Receiver	12.6 dB max.	
	PDL	Laser - Probe	0.2 dB max.	
		Probe - Receiver	0.7 dB max.	
		Ref Laser - Receiver	0.6 dB max.	
	Model S	Input Optical Power		2.0 W max.
		IL	Laser - Probe	9.0 dB max.
Probe - Receiver			4.0 dB max.	
Ref Laser - Receiver			19.6 dB max.	
PDL		Laser - Probe	0.5 dB max.	
		Probe - Receiver	0.7 dB max.	
		Ref Laser - Receiver	0.6 dB max.	
Receiver		Type 01	25 GHz Thorlabs RX25AF	

ORDERING INFORMATION

PDVR - -

Model

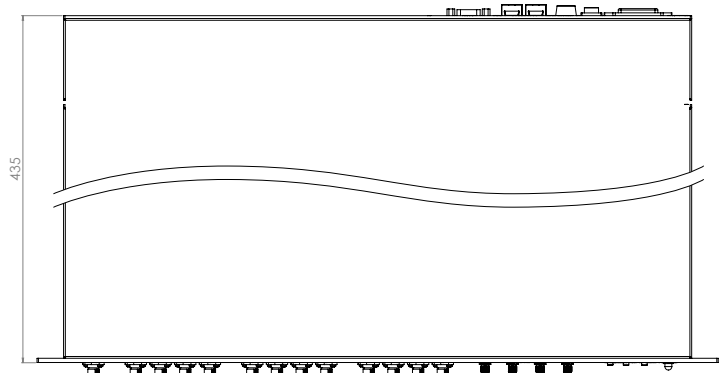
B-01 B Model with Type 01 Receiver
S-01 S Model with Type 01 Receiver

Connector Type

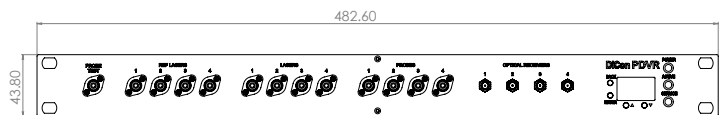
FC/APC FC/APC
LC/APC LC/APC

MECHANICAL SPECIFICATIONS

Dimensions in mm



Model B



Model S

