

WIDEBAND TUNABLE FILTER BENCHTOP SERIES

DiCon's Benchtop Wideband Tunable Filter is designed for ASE noise suppression and signal clean, typically for lab or production test and measurement applications.

This tunable filter operates by using a grating to de-multiplex the incoming light and then precisely directs the requested passband to the output fiber, using a patented ultra-stable and reliable MEMS mirror.



FEATURES

- 126 mm x 106 mm x 34 mm Benchtop Box
- RS-232 Control
- Fast Tuning Speed

APPLICATIONS

- Noise Suppression (eg. for ASE noise)
- Signal Clean Up



WIDEBAND TUNABLE FILTER BENCHTOP SERIES

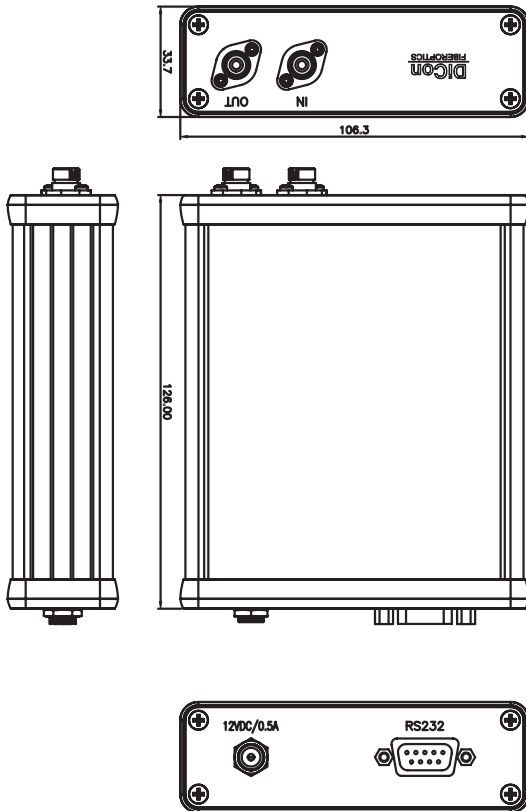
OPTICAL SPECIFICATIONS¹

PARAMETER	RATING	
IL @ Peak ²	3.0 dB max.	
Bandwidth @ 3 dB	120 GHz min.	165 GHz max.
Bandwidth @ 20 dB	310 GHz min.	440 GHz max.
Back Reflection	-35 dB max.	
PDL ³	0.25 dB max	
Tuning Resolution	10 pm	
Tuning Speed	30 ms max.	
Optical Power	500 mW max.	
Durability	1 billion cycles min.	
Operating Temp	-5 to 70 °C	
Storage Temp	-40 to 85 °C	
Fiber Type	9/125 μm single mode	

- All specifications referenced without connectors.
- IL measured at 25°C +/- 5°C. IL < 3.5 dB over entire operating temperature range.
- PDL measured at 25°C +/- 5°C only. Add 0.1 for PDL over the entire operational temperature range.

MECHANICAL DIMENSIONS

(Units: mm)



ORDERING INFORMATION

UTFB - 0.98 - □ - □ - □ - □ - □ - □

Bandwidth @ 3 dB

0.98 0.98 nm min

Tuning Range

13E1	1260-1310 nm
13E2	1310-1360 nm
13E3	1285-1335 nm
15	1528-1568 nm
16	1570-1610 nm

Custom Tuning Range Available Upon Request

Fiber Type

9 9/125 μm single mode fiber

Connector Type

FC FC/SPC
FC/UPC FC/UPC
FC/APC FC/APC

Also Available: SC, SC/UPC, SC/APC, ST, ST/UPC, LC

Port Type

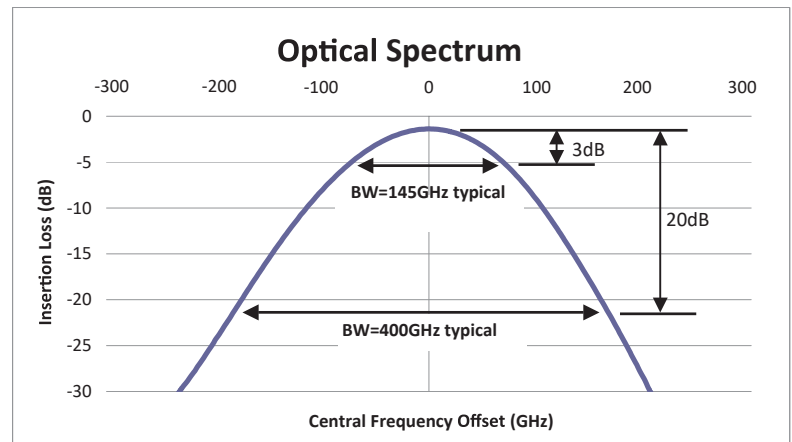
B Bulkhead Adaptors

Port Location

F Front Panel

AC Adapter Plug Type for the Included Power Supply

AU AU Type
EU EU Type
UK UK Type
US US Type



ELECTRICAL SPECIFICATIONS

PARAMETER	RATING	
Latching Type	Non-latching	
Control Type	RS232	
Connectors	RS232	DB9 female receptacle
	DC Power Jack	2 x 5.5 mm
AC Adapter Input Voltage	100 to 240 VAC	