

# MODULAR GP700

## TWO-POSITION SWITCH PLUG-IN

DiCon's Two-Position Switch Plug-In integrates up to four 2x2, 1x2, or On-Off switches. Operating independently of data rate and signal format, the switch uses a moving prism or shutter between fixed collimators to achieve precise channel selection. The Plug-In is designed for easy installation into DiCon's GP700M Modular Mainframe. DiCon's Two-Position Switch Plug-In can be built with Corning SMF-28, Flexcor 1060 or Polarization Maintaining Panda fiber.

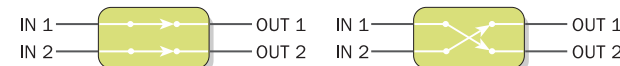
### FEATURES

- Very low insertion loss
- Precise repeatability
- Low back-reflection
- Flexible fiber types and wavelength ranges

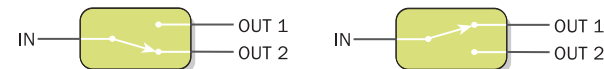


### CONFIGURATIONS

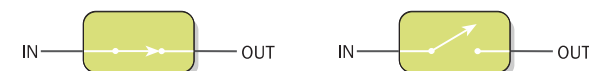
2x2 switches provide channel selection from a pair of input fibers to a pair of output fibers.



1x2 switches provide channel selection from one input fiber to two output fibers.



On-Off switches provide channel control from one input fiber to one output fiber.



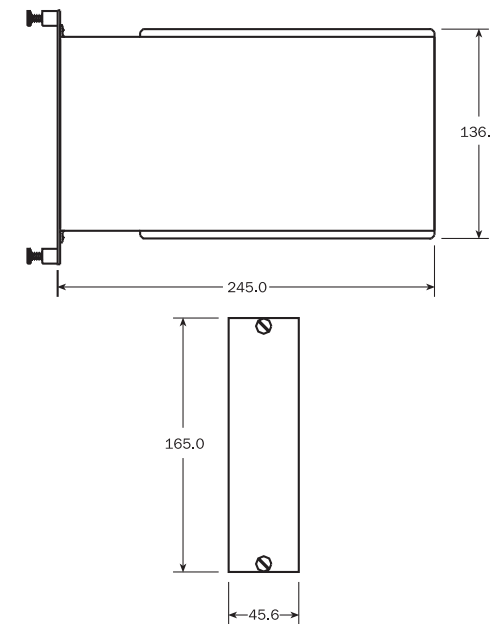
# MODULAR GP700

## SPECIFICATIONS<sup>1</sup>

Insertion loss	0.6 dB typ., 1.0 dB max.	
Back-reflection	singlemode	-55 dB max.
	multimode	-20 dB typ.
Repeatability <sup>2</sup>	±0.01 dB max.	
PDL <sup>3</sup>	0.05 dB max.	
Cross-talk	-70 dB max.	
Switching time	135 ms max.	
Optical power <sup>4</sup>	300 mW max.	
Operating temperature	0°C to +40°C max.	
Storage temperature	-20°C to +60°C	
Humidity	40°C/90%RH/5 days	

1. All specifications referenced without connectors.
2. Sequential repeatability for 100 cycles at constant temperature after warm-up.
3. Singlemode only. Measured at 1550 nm.
4. High power version (2W) available as special order.

## HOUSING DIMENSIONS



Units: mm

## ORDERING INFORMATION

PS - [ ] - [ ] - [ ] - [ ] - [ ]	
Switch Configuration	
11	On-Off
12	1x2
22	2x2 non-blocking
Number of Switches	
X	Specify quantity (1 to 4)
Fiber Type	
9	9/125 <sup>1</sup>
50	50/125
62	62.5/125
10	Flexcor 1060 <sup>2</sup>
PM	Panda 1300 <sup>3</sup>
Wavelength Range <sup>4</sup>	
10	960 - 1000 nm <sup>5</sup>
8/13	780 - 1350 nm <sup>6</sup>
13/15	1290 - 1360 nm and 1530 - 1560 nm <sup>7</sup>
13/16	1290 - 1360 nm and 1530 - 1610 nm <sup>7</sup>
15	1530 - 1560 nm <sup>8</sup>
16	1530 - 1610 nm <sup>7</sup>
Adapter Type	
FC	FC/SPC
FC/APC	FC/APC
FC/UPC	FC/UPC
SC	SC/SPC
SC/APC	SC/APC
SC/UPC	SC/UPC
ST	ST/SPC
ST/UPC	ST/UPC
LC	LC/UPC

1. Corning fiber SMF-28.
2. Corning Flexcor 1060 fiber with 250um jacket.
3. Corning Panda PM 1300 fiber with 400 um jacket.
4. All wavelengths referenced to vacuum.
5. Flexcor only.
6. Multimode fiber only.
7. 9/125 fiber only.
8. 9/125 fiber and Panda 1300 fiber only.