

GP700 Platform

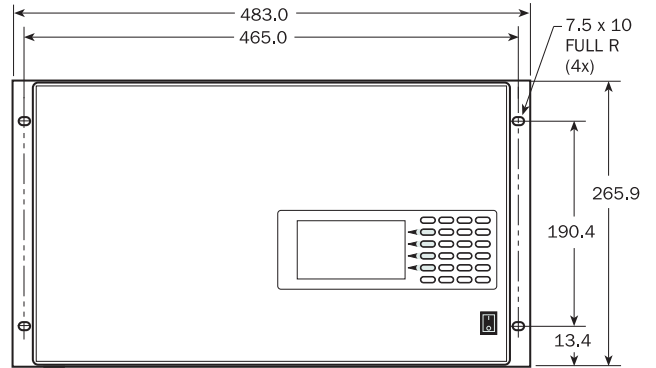
Chassis Options

Chassis Summary

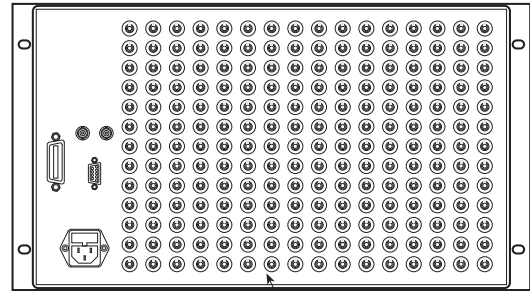
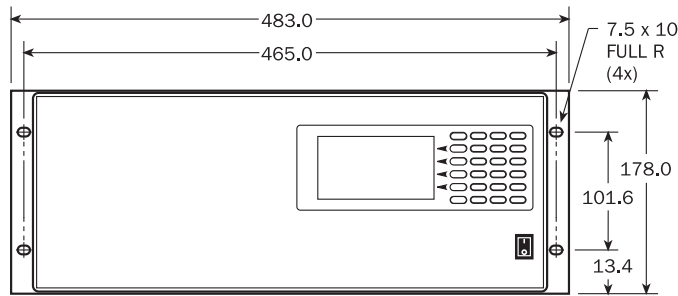
Chassis	Width	Height ¹	Depth
2U half-rack	222.0 mm	88.9 mm	367.25 mm
2U standard rackmount	483.0 mm	88.9 mm	434.5 mm
4U standard rackmount	483.0 mm	178.0 mm	434.5 mm
4U extended rackmount ²	483.0 mm	178.0 mm	554.0 mm
6U extended rackmount	483.0 mm	265.9 mm	554.0 mm
Benchtop	257.4 mm	191.6 mm	412.6 mm

- 1. Excluding feet.
- 2. Not shown. Differs from 4U standard rackmount chassis only in depth.

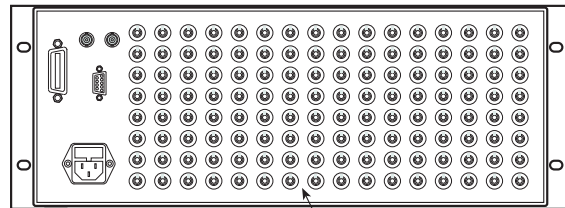
6U Extended Rackmount Chassis



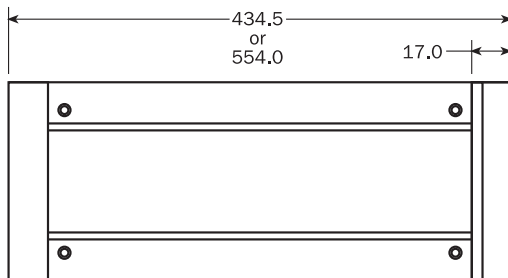
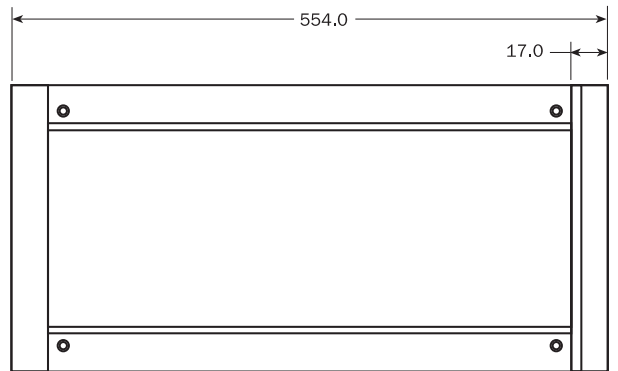
4U Standard Rackmount Chassis



REAR PANEL OPTICAL CONNECTORS
FC ADAPTERS SHOWN



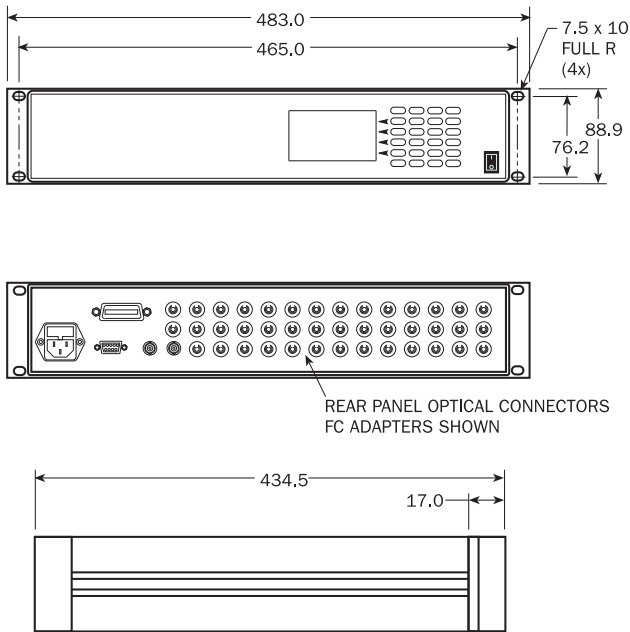
REAR PANEL OPTICAL CONNECTORS
FC ADAPTERS SHOWN



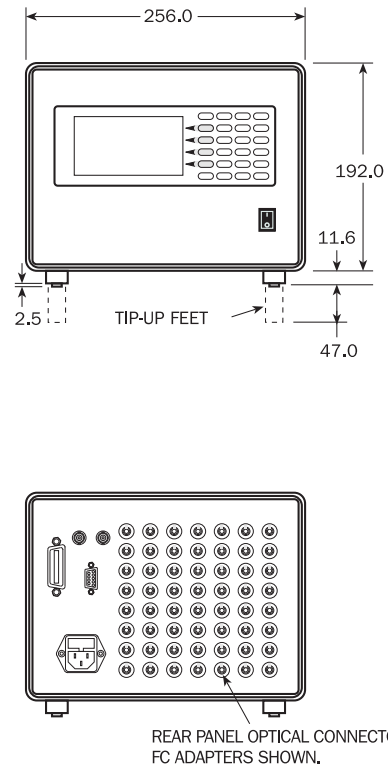
GP700 Platform

Chassis Options

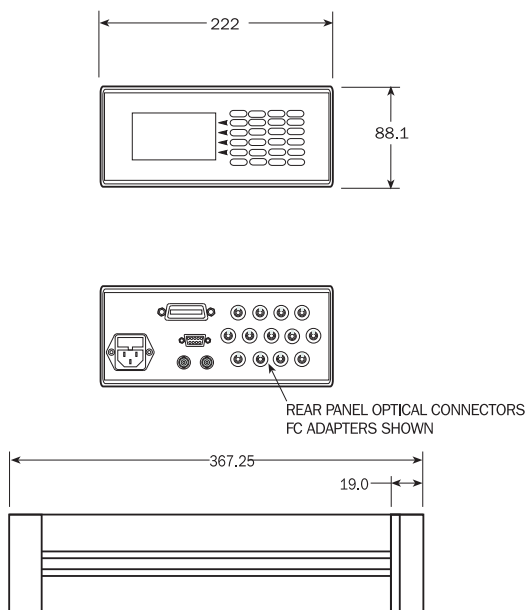
2U Standard Rackmount Chassis



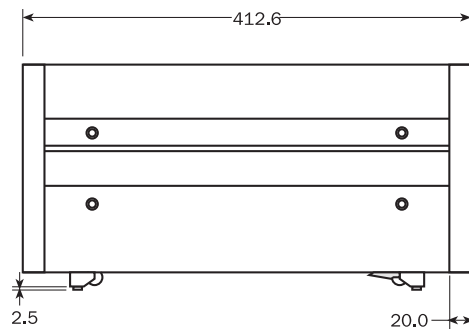
Benchtop Chassis



2U Half-Rack Chassis



Note: Rackmount hardware available for 2U Half-Rack Chassis. Contact DiCon for Details.



A Note About Chassis Size

Not all chassis options are appropriate for all module configurations. Contact DiCon to discuss your requirements.